



50 FRESH HITS

FOR PROJECT AND
RESIDENTIAL CONSTRUCTION

NEW PRODUCTS AND FEATURES 2021

Innovations for our joint success

HÖRMANN



A woman in a blue dress is partially visible on the left side of the frame, standing on a wooden stage. The background is a large, brightly lit arena filled with a dense crowd of people. The ceiling is dark with several spotlights. Golden confetti is falling from the ceiling, creating a celebratory atmosphere. The overall lighting is warm and golden.

ELEGANT

Trending surface finish with slate structure

- Surface finish Slategrain for a modern door appearance
- Same price as Woodgrain surface finish
- Available for M- and L-ribbed sectional garage doors

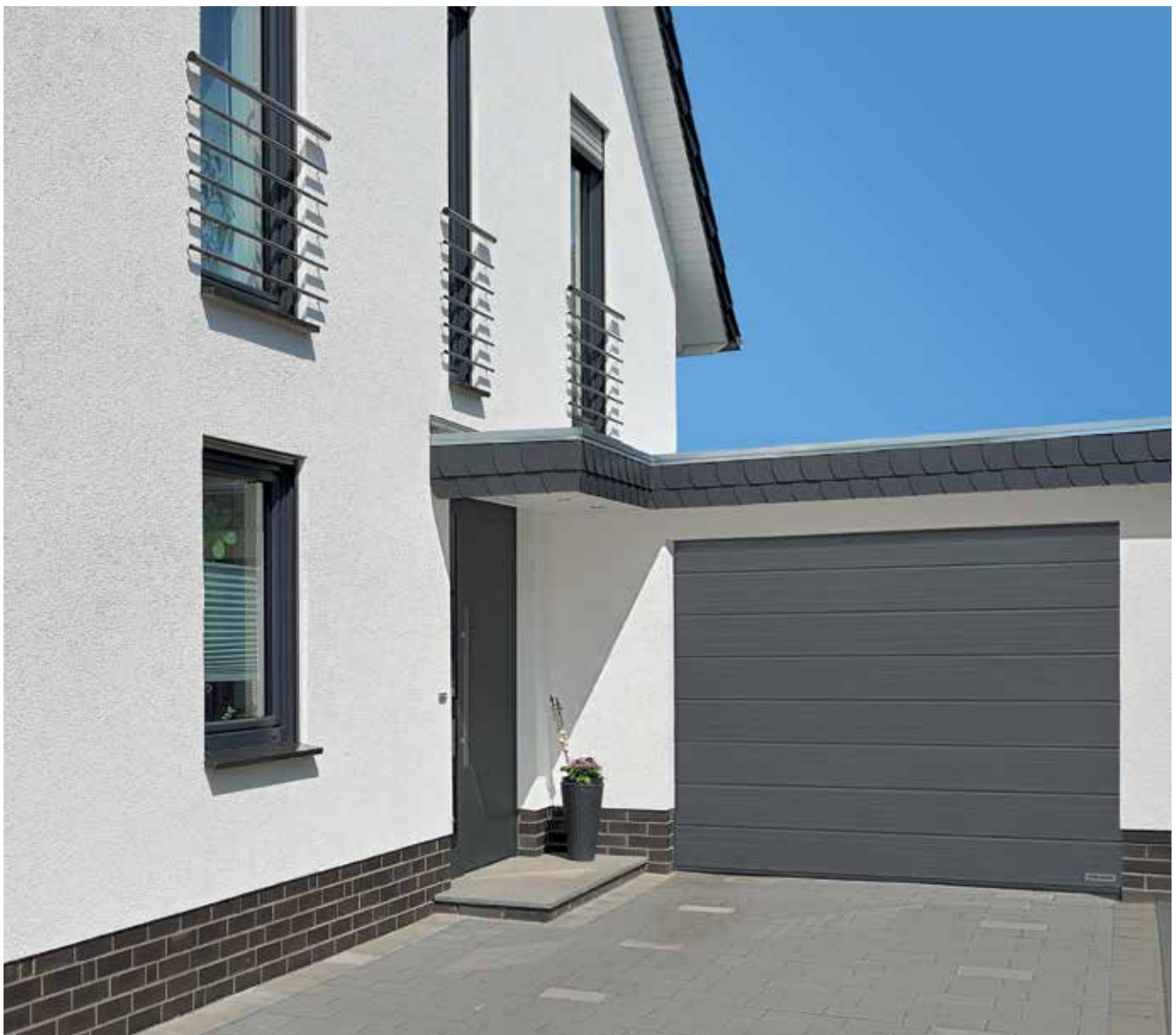
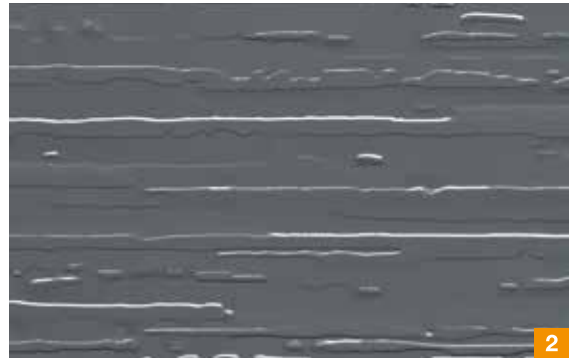
In Traffic white RAL 9016 ¹
and Anthracite RAL 7016 ²

■ Available from 1.4.2021

In 15 preferred colours and RAL to choose

■ Available from 1.7.2021

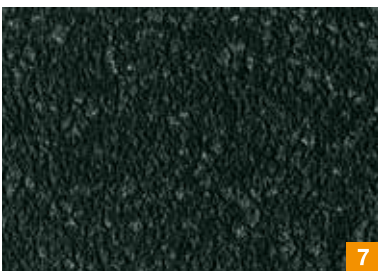
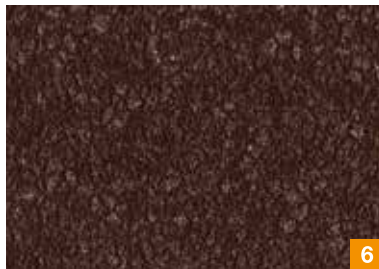
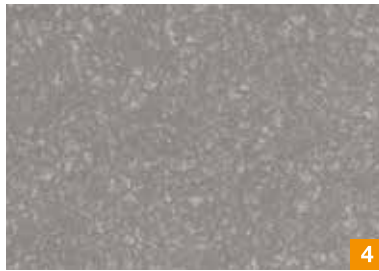
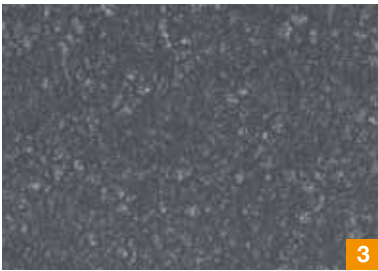
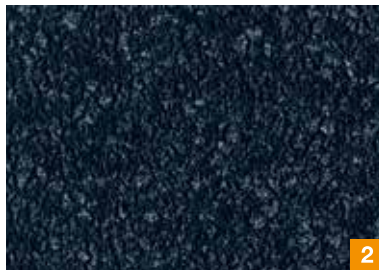
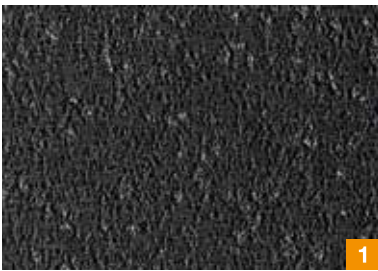
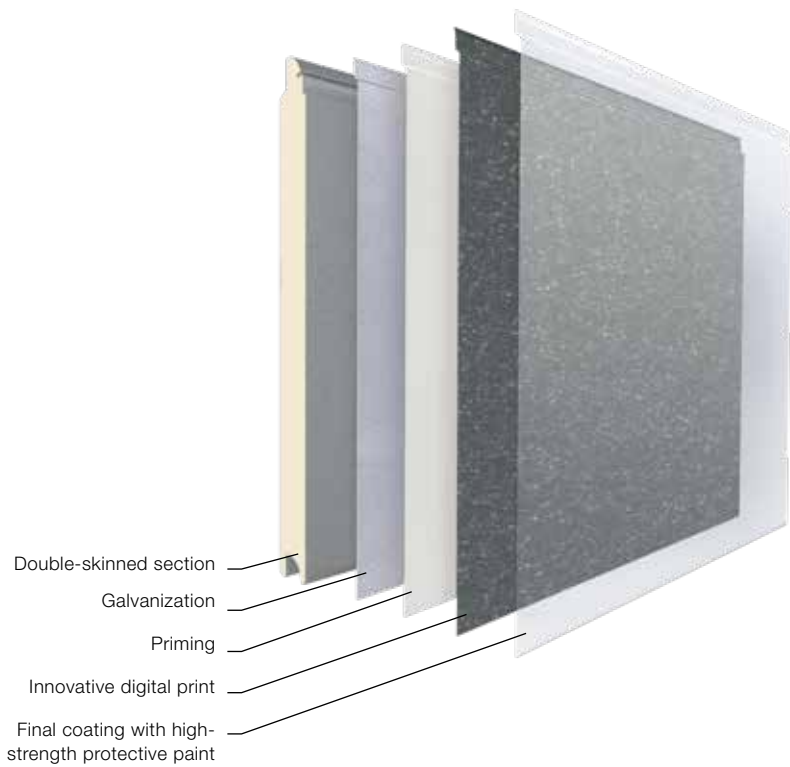
All colours based on RAL



Duragrain Diamond

- Smooth surface in 8 modern colours
- Final coating of high-strength protective paint
- Especially scratch-resistant and stain-resistant
- Exclusively available for the sectional garage door RenoMatic

■ Available from 1.4.2021



- 1 Diamond Black
- 2 Diamond Anthracite
- 3 Diamond Basalt
- 4 Diamond Stone
- 5 Diamond Grey
- 6 Diamond Brown
- 7 Diamond Green
- 8 Diamond Red

Protective coatings

- Available for sectional garage doors in the Woodgrain and Silkgrain surface finishes

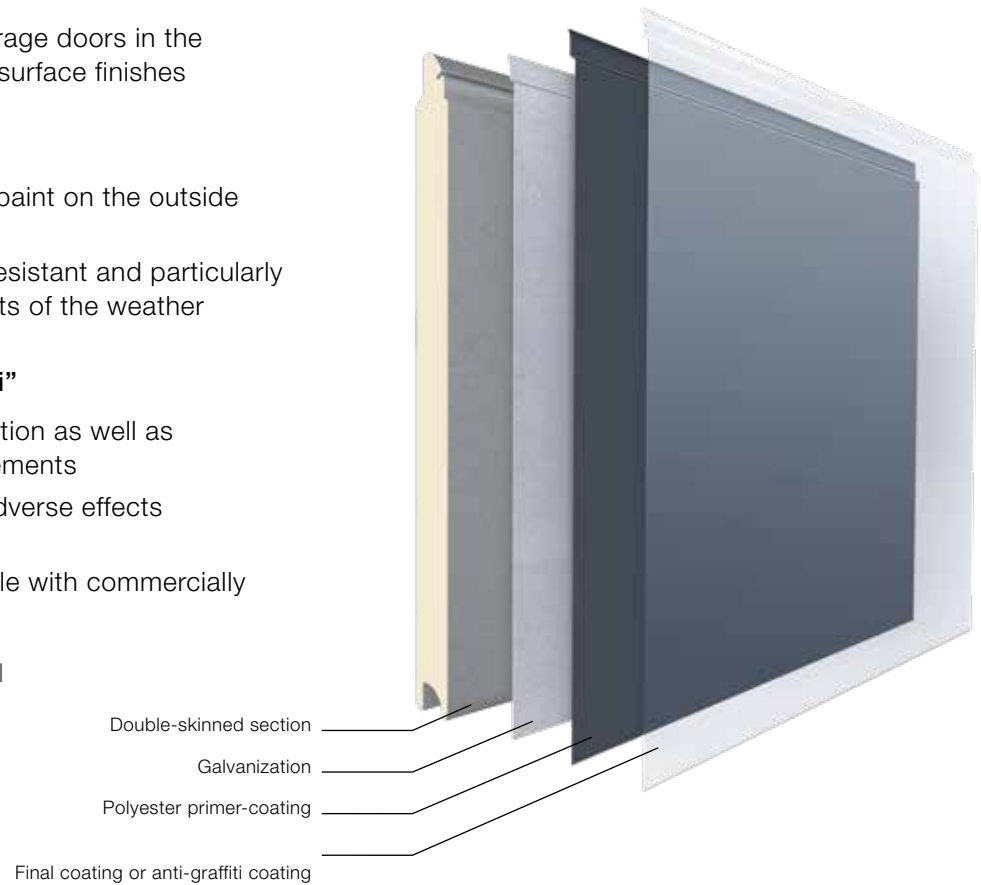
Final coating

- High-strength protective paint on the outside of the section
- Scratch-resistant, stain-resistant and particularly resistant to adverse effects of the weather

Final coating “Anti-graffiti”

- On the outside of the section as well as on glazing and design elements
- Particularly resistant to adverse effects of the weather
- Removal of graffiti possible with commercially available special cleaners

■ Available from 1.4.2021



Trending colours as preferred colours

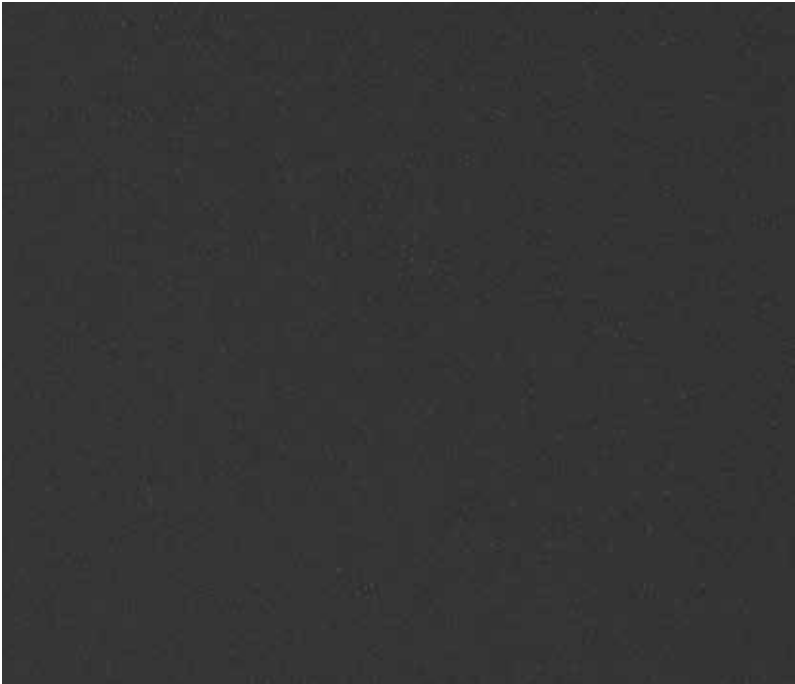
- Matching modern architecture
- Available for sectional garage doors in the Woodgrain and Silkgrain surface finishes

■ Available from 1.4.2021

- 1 CH 703 Anthracite metallic
- 2 RAL 9005 Jet black
- 3 RAL 7039 Quartz grey
- 4 RAL 7015 Slate grey
- 5 RAL 7012 Basalt grey

All colours based on RAL





New colour Noir 2100 Sablé

- Elegant door appearance in Anthracite metallic
- Available for sectional garage doors in the Woodgrain and Silkgrain surface finishes

■ Available from 1.4.2021



Side sliding sectional door BR 30

- Secure door lock through optional door handle and 3-point locking on the closing and curve side
- Recessed grip facilitates manual operation
- Improved sealing system

■ Available from 1.7.2021



Reno RC set

- Especially suited for the replacement of up-and-over doors without removing the threshold rail
- Set of special bottom seal and buffer piece
- Available for sectional garage doors

■ Available from 1.7.2021





ProMatic 4 Akku

- Opening speed of up to 16 cm/s
- Long battery life of 40 to 60 days
- Optional solar module
- Suitable for up-and-over, sectional and overhead doors up to 4000 mm wide

■ Available from 1.4.2021



Roller garage door RollMatic T

- Faster fitting thanks to pre-drilled side guides and pre-assembled barrel incl. cladding
- Space-saving design due to slim side guides and a compact tubular drive
- Catch safety device as standard and closing edge safety device for a secure door operation
- Control in elegant housing with LED lighting
- Radio control as standard with BiSecur radio system

■ Available from 1.4.2021

New door styles Thermo65

- Style 610S with elegant door appearance without glazing frame **1**
- Style 730B with rectangular glazing and stainless steel frame **2**
- Style 830S with rectangular glazing and stainless steel frame **3**
- Style 840S with diamond-shaped glazing and stainless steel frame **4**

■ Available from 1.4.2021



Only from Hörmann

Acoustic-rated door with thermal break

- Acoustic rating category 3 (43 dB)
- Ideal as walkway door
- Optionally with acoustic rating category 2 (38 dB) thanks to retractable bottom seal
- Good thermal insulation with a U-value of up to 0.95 W/(m²·K)
- Available for Thermo65 styles 010 and 700

■ Available from 1.4.2021

One-way plate glass **5**

- Reflection on the light side
- See through the dark side to the light side
- Optionally available with certified RC 2 safety glazing
- Optionally for side elements and transom light (no RC 2 possible)
- Available for Thermo65 style 610N, 700N and 810N

■ Available from 1.4.2021





Thermo65 black.edition 1

Fittings in elegant Jet black RAL 9005

- Exterior handle HB 38-2, optionally also in RC 2 version
- Interior lever
- Lever handle set D110 for interior and exterior
- Matching stainless steel glazing frame in Jet black RAL 9005 for style 700
- Available for styles 010, 015, 515 and 700



Trending colours as preferred colours

- Matching modern architecture
- Matching sectional garage doors

■ Available from 1.4.2021

- 1 RAL 7012 Basalt grey
- 2 RAL 7015 Slate grey
- 3 RAL 7037 Dusty grey
- 4 RAL 7039 Quartz grey
- 5 CH 907 Grey aluminium

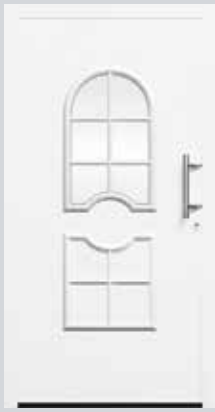
All colours based on RAL

Classic ThermoSafe styles

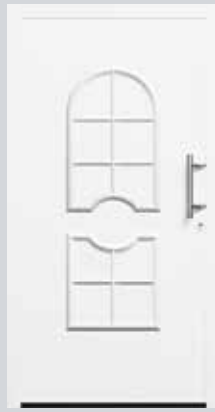
- 11 styles with high-grade profile strip **1**
- 3 styles with milled profile **2**
- Optionally for non-glazed styles with identical look on the inside, matching classical residential internal doors
- Optional brass-coloured handle 14-4 **3**

■ Available from 1.4.2021





Style 414



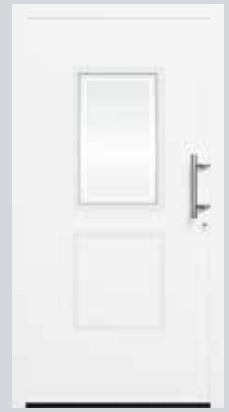
Style 416



Style 419



Style 420



Style 422



Style 421



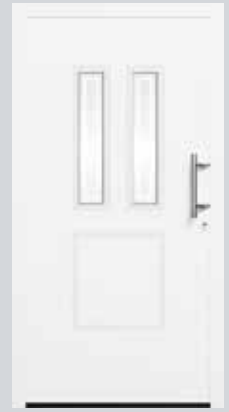
Style 451



Style 452



Style 453



Style 454



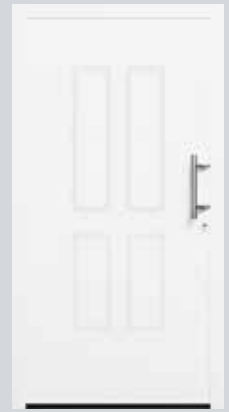
Style 455



Style 456



Style 457



Style 459

1

2



3

black.edition fittings **1**

- Exterior handle HOE 501 powder-coated in Jet black matt RAL 9005
- Particularly harmonic door look due to the matching interior lever D-360 **2**
- Available for aluminium entrance doors ThermoSafe, ThermoSafe Hybrid, ThermoPlan Hybrid and ThermoCarbon

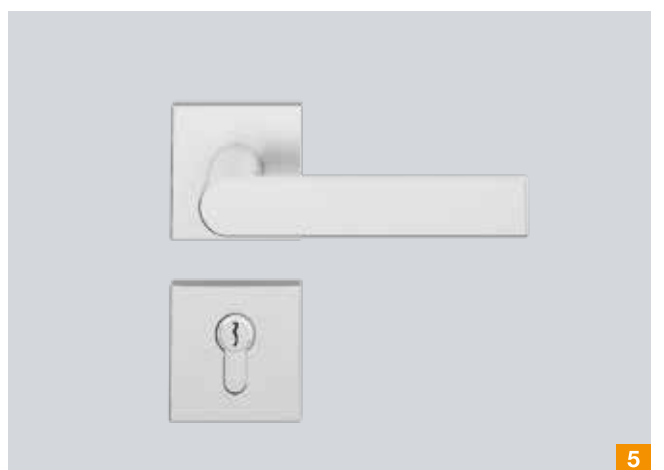
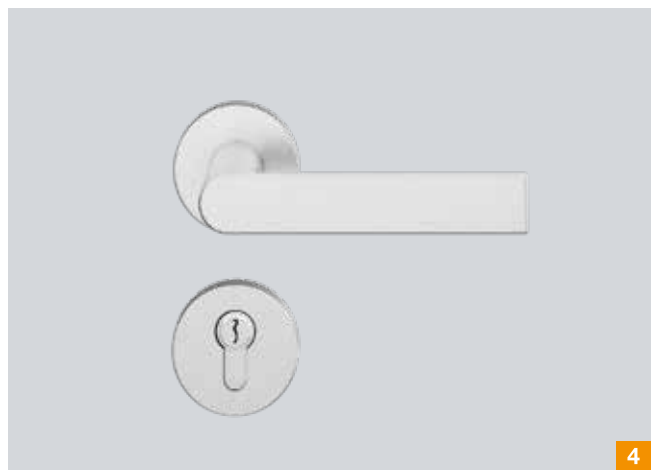
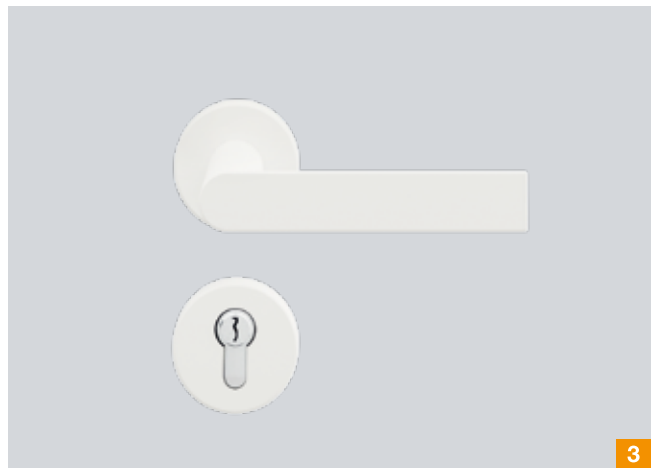
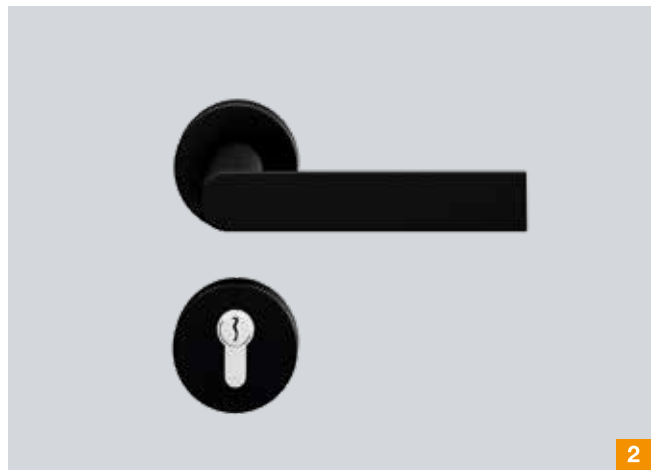
■ Available from 1.4.2021

Interior lever “D-360”

- Premium door appearance in modern design
- Available for all aluminium entrance doors
- Available in 4 versions
 - 2** Jet black RAL 9005, matt, round rose escutcheon
 - 3** Traffic white RAL 9016, matt, round rose escutcheon
 - 4** Stainless steel, matt, round rose escutcheon
 - 5** Stainless steel, matt, square rose escutcheon

■ Available from 1.4.2021





Trending colour Dusty grey

- For a modern door appearance
- Particularly elegant with black.edition fittings
- Available for timber doors with Duradecor surface finish in the versions:

BaseLine

DesignLine Concepto Ultra matt, Slate and Linen

DesignLine Stripe 15

DesignLine Steel / Plain

■ Available from 1.4.2021

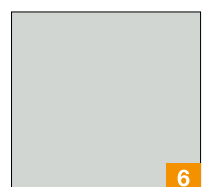
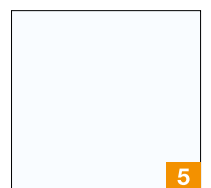


Contrasting edge 4Protect

- To give your door design a special flair
- Available for all timber doors with Duradecor surface finish
- Edge colour available in:

- 1 Black
- 2 Taupe
- 3 Dusty grey
- 4 Anthracite
- 5 White
- 6 Light grey

■ Available from 1.4.2021



DesignLine Plain

- Exclusive design thanks to flush-fitting embellishments
- Available in 3 new colours:

- 1 Gold
- 2 Bronze
- 3 Black

■ Available from 1.4.2021





Duradecor surface finish in brushed white

- Available with vertical grain or new with horizontal grain **1**
 - Available for timber doors
- Available from 1.4.2021



ClassicLine in RAL to choose **2 3**



- Painted surface finish with individual colour in RAL to choose
 - Available for ClassicLine doors Georgia, Carolina, Kontura and Montana
- Available from 1.4.2021

Only from Hörmann

Lever handles, hinges, lock plate and lock cover in black.edition

Lever handle Linea Planar black.edition 1

- Elegant look in Jet black RAL 9005
- Handle rose escutcheon flush-fitting in the door-leaf
- Available for all timber doors

■ Available from 1.4.2021



Locks and lock plates 2

- Magnetic latch lock with short lock cover and matching lock plate
- For a modern door appearance thanks to subtle fittings
- Available for flush doors with magnetic catch

■ Available from 1.4.2021



Concealed, 3-way adjustable Euro hinge black.edition 3

- Inexpensive, concealed hinge in elegant Black RAL 9005
- Harmonic door look with lever handle in black.edition
- Available for flush-closing timber doors

■ Available from 1.4.2021





1



2



3



4



5



6

Modern lever handle sets

Handle series Bicolor System 162 ¹

- Elegant door appearance thanks to handle rose escutcheon with colour accents
- Available in colour combinations Black matt / Bronze (see Fig.), Black matt / Gold, White matt / Bronze, White matt / Gold or Anthracite / Stainless steel

Handle series Bicolor System 250 ²

- Elegant door appearance thanks to handle rose escutcheon with colour accents
- Available in colour combinations Black matt / Bronze, Black matt / Gold, White matt / Bronze, White matt / Gold (see Fig.) or Anthracite / Stainless steel

Handle series Lucia ³

- Available in the Professional version or in the flush-fitting Piatta version
- Optionally with Smart2Lock door locking at the handle

Handle series Leaf Light ⁴

- Available in Cashmere grey (see Fig.) or stainless steel

Handle series Remote ⁵

- Available in Cashmere grey (see Fig.) or stainless steel

Handle series Avus One ⁶

- Available in Cashmere grey (see Fig.) or stainless steel
- Optionally with Smart2Lock door locking at the handle

■ Available from 1.4.2021

Glass doors in industrial style

- Glazings Clear and Clear White with elegant black lines
 - Particularly stylish with lever handle and fittings in black.edition
 - Available in two versions:
 - 1 Loft-Design 1-5
 - 2 Loft-Design 2-5
 - Available as hinged and sliding door or as glazing cut-out LA 8 and LA 26 for timber doors
- Available from 1.4.2021





Increased acoustic insulation

- Acoustic rating category SK1 through optional bottom seal profile and laminated safety glass glazing
- Available for glass doors float clear **1** and Satinato **2**

■ Available from 1.4.2021



Sliding doors with side element **3**

- SlideCompact version
- Combination of timber or glass door leaf with glazed side element
- Max. transparency as sliding glass door
- Interesting alternative with opening widths for double-leaf doors

■ Available from 1.4.2021



Fitting set Puristo S **4**

- Available in Cashmere grey (see Fig.) or stainless steel
- Optionally with Smart2Lock door locking at the handle
- Available for all glass doors

■ Available from 1.4.2021

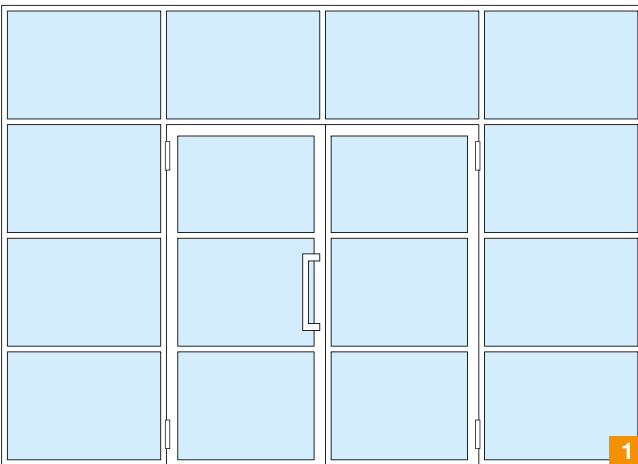
Steel loft doors

- Industrial style for project and residential construction
- Max. element size of 5000 × 4000 mm **1**
- Narrow profile view of 76 mm (door) or 35 mm (fixed glazing)
- Surface-mounted rails with a viewed width of just 15 mm **2**, **3**
- Available with angle glazing bead **2** or slim glazing bead **3**
- Fittings available in Jet black RAL 9005 **4** or stainless steel

■ Available from 1.4.2021



Stylish offices



DIVERSE





EI₂₃₀

Only from Hörmann

Fire-rated door with thermal break **1**

- FS Thermo65 style FS THP 010
- Approval for fire protection category EI₂₃₀
- Door leaf with thermal break and frame for exterior use
- Good thermal insulation value of 0.93 W/m²·K
- Also available with handle HB 38-2 and multiple-point locking

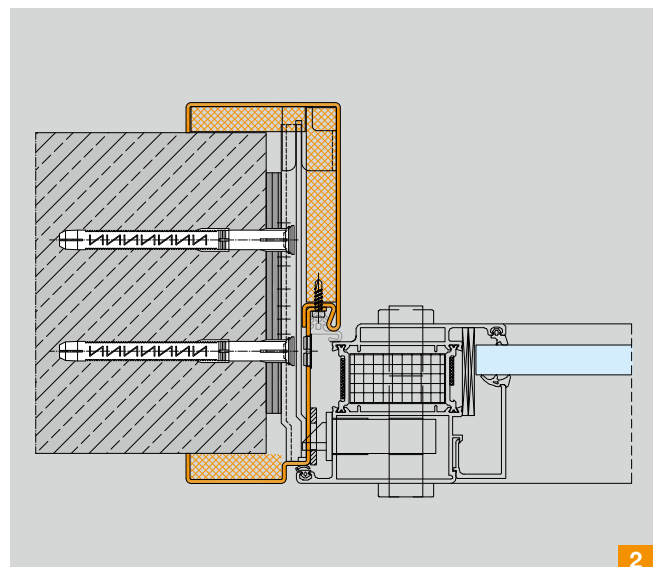
■ Available from 1.7.2021



Mortar-free fitting with steel frames **2**

- For aluminium tubular frame construction project doors
- Backfilling with mineral wool
- Fast and clean fitting
- Especially for frames with final coating
- Available as corner or profile frame

■ Available from 1.4.2021





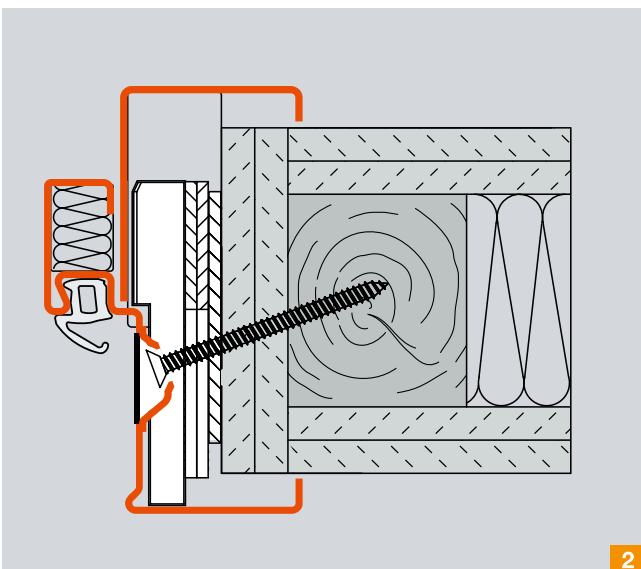
1

MZ

Steel construction project door D65-1 light **1**

- Stable and inexpensive construction project door for internal use matching steel construction project doors OD with 65 mm door leaf thickness
- Lower weight due to fully bonded honeycomb insert
- Optional retrofit kits for glazings, ventilation grille or bottom seal

■ Available from 1.7.2021



2

T30

MZ

Universal corner frame in F90B timber partition wall **2**

- With counter frame Vario B53 for prefabricated walls
- Available for steel construction project doors D65 OD
- Available for steel construction project doors H3 OD

■ Available from 1.4.2021

Operator solutions at an attractive package price **1**

- Operator package Economy: Simple solution for barrier-free passages
- Operator package Protect: Convenient solution for hygiene areas
- Available for aluminium / steel tubular frame construction project doors and steel / stainless steel construction project doors

■ Available from 1.4.2021



EW30 **EW60**

Fire protection curtain FlexFire **2**

- Approval in fire protection classes EW30 and EW60
- As a partition, prevents spread of the fire and ignition through heat on the opposite side of the fire

■ Available from 1.4.2021



EI₂30 **EI₂90**

Vertical sliding door with CE marking **3**

- Fire-rated vertical sliding door FHT-OD 30, FHT-OD 90
- Max. size up to 7000 × 6125 mm
- With motor driven opening aid as standard

■ Available from 1.6.2021





Steel frame with concealed, 3-way adjustable Euro hinge **1**

- Applicable up to 60 kg door leaf weight
- Optionally prepared for retrofitting or fitting at the factory
- Available in all frame profiles for flush-closing door leaves up to 40 mm door leaf thickness

■ Available from 1.4.2021



Sliding door frame with mechanical self closing **2**

- Mechanical door closer with integrated soft-closing and hold open function
- Available for timber or glass door leaves with a door leaf weight up to 100 kg

■ Available from 1.4.2021

Only from Hörmann

VarioFix frames for door leaves up to 80 kg 1

- Fitting with Hörmann 2C fitting foam
- IFT approved
- Available for rebated and flush-closing door leaves up to 80 kg

■ Available from 1.4.2021



Only from Hörmann

VarioFix 3-part disassembled 2

- Optionally primed or powder-coated
- Space-saving transport
- Available for rebated and flush-closing door leaves

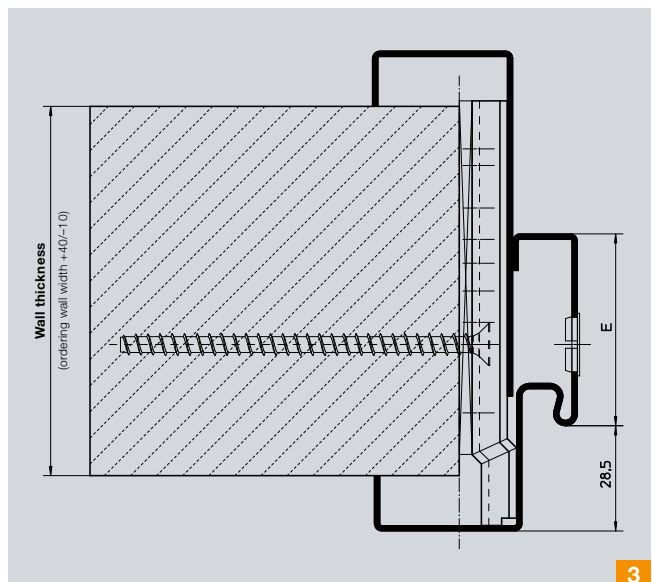
■ Available from 1.4.2021



Variable telescopic frame 3

- Simple fitting via universal trapezoidal anchor
- Variable wall compensation via wall width adjustment of up to 50 mm (dependant on the wall width)
- Available for rebated door leaves up to 120 kg

■ Available from 1.4.2021





Stock programme for VarioFix visibility windows **1**

- Final-powder coating in RAL 9016
- Complete door set glazed at the factory
- Stock sizes:
1200 mm × 400 mm (wall width 125 mm)
1200 mm × 1050 mm (wall width 125 mm)
- Equipped with glazing bead L11, glazing sealing in white, single-pane safety glass 6 mm

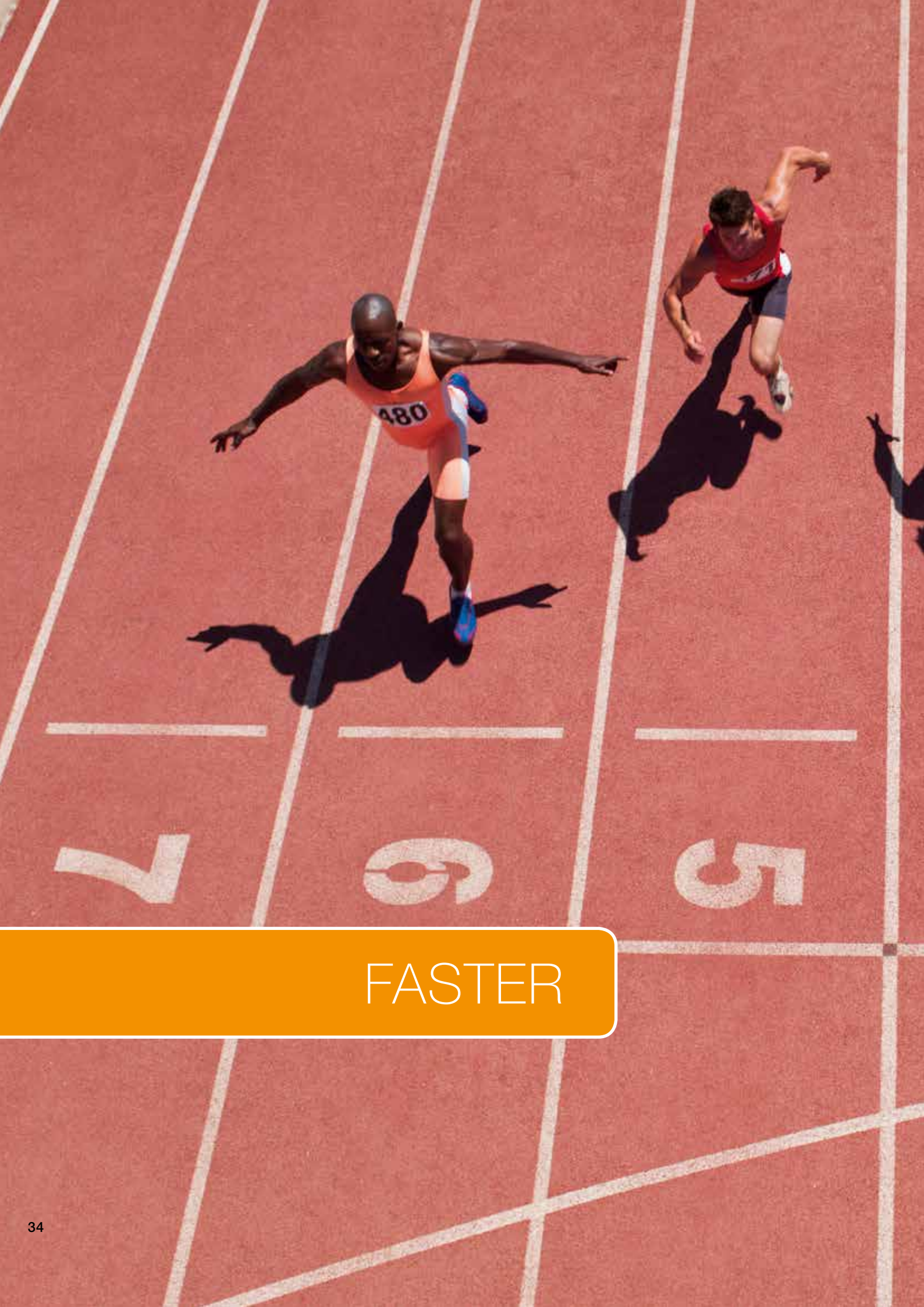
■ Available from 1.4.2021



VarioFix in stainless steel **2**

- Elegant appearance through welded mitre
- Available in stainless steel V2A or V4A for areas with corrosion protection requirements
- Positive fixing with 2C fitting foam
- Variable fitting for all wall types via adjustable wall widths of -5 mm / +15 mm
- **Visibility window** optional with glazing bead L21 or L22
- **Frame** can be used for rebated and flush-closing door leaves up to 50 kg or 80 kg door leaf weight

■ Available from 1.4.2021



FASTER



Industrial sectional doors series 60

Only from Hörmann

Improved construction

- Quiet, low-wear door travel thanks to optimised track radii and enlarged rollers **1**
- Up to 5 dB(A) quieter door travel thanks to special optional rollers / roller holders
- Optional plastic frame shoe prevents rust as a result of waterlogging on the door frame **2**
- Low headroom track application with 200 mm required headroom without loss of passage height
- Improved bottom seal, with optional accessory up to air tightness class 4
- Optional ThermoFrame with new spacer profile and additional lintel counter seal

Simple fitting and maintenance

- Precisely fitting connection of track and radius through transition sleeves **3**
- Faster fitting thanks to less components and press-fitted screws **4**
- Less suspension points through optional C-rail
- Adjustable locking height with rotary latches and shootbolts
- Recess at the frame shoe facilitates work if the floor is not yet finished





Door opening up to 1 m/s:
The fastest sectional door
from Europe's no. 1

High safety

- No pressing open of the uppermost section and very quiet door closing due to the new twin rollers **5**
- High break-in resistance in all door versions and door sizes through anti-lift kit on both door sides as standard **6**
- Optional, certified RC 2 security according to DIN / TS 18194 for additional burglar protection

■ Available from 1.6.2021



The certified RC 2 security according to DIN / TS 18194 is recommended by police information centres. Further information can be found at www.k-einbruch.de

Only from Hörmann

Speed control with conical cable drums

Industrial operators WA 500 FU 1

- High door travel speed from up to 1 m/s with control 560, or up to 0.5 m/s with control 545
- Soft start and stop for a gentle door travel
- Constant door travel speed also with high-lift and vertical track application (H and V track applications)

■ Available from 1.6.2021

Operator ITO 500 FU 2

- High door travel speed up to 0.5 m/s with control 560 or up to 0.3 m/s with control 545
- Ceiling-mounted operator with frequency converter based on WA 500 FU
- Soft start and stop for a gentle door travel
- Available for industrial sectional doors, non-protruding up-and-over door ET 500 and sliding door ST 500

■ Available from 1.6.2021

Door opening twice as fast*



1



2

Approx. 20 %
less expensive*



1

For maximum
door travel speed



2

Only from Hörmann

With BlueControl as standard

Control 545 1

- Door travel speeds of up to 0.5 m/s with operator WA 500 FU
- 4 × 7-segment display for time stamps for events
- Easy installation via BlueControl app via Bluetooth as standard
- Energy-saving function
- Automatic programmable timer
- Suppression function when installing a photocell in the door frame
- HCP bus interface for intelligent accessories such as: SmartControl gateway for remote preliminary maintenance

■ Available from 1.6.2021

Only from Hörmann

With BlueControl as standard

Control 560 2

Additional functions of control 545:

- Door travel speeds of up to 1.0 m/s with operator WA 500 FU
- Illuminated keyboard
- Separate partial opening position
- Option relay as standard e.g. for connecting limit switch reporting, locking, lights, etc.
- Can be extended to traffic control
- 2 timers as standard for programming scenarios in two different time periods

■ Available from 1.6.2021

* In comparison with WA 400 FU with control B 460 FU

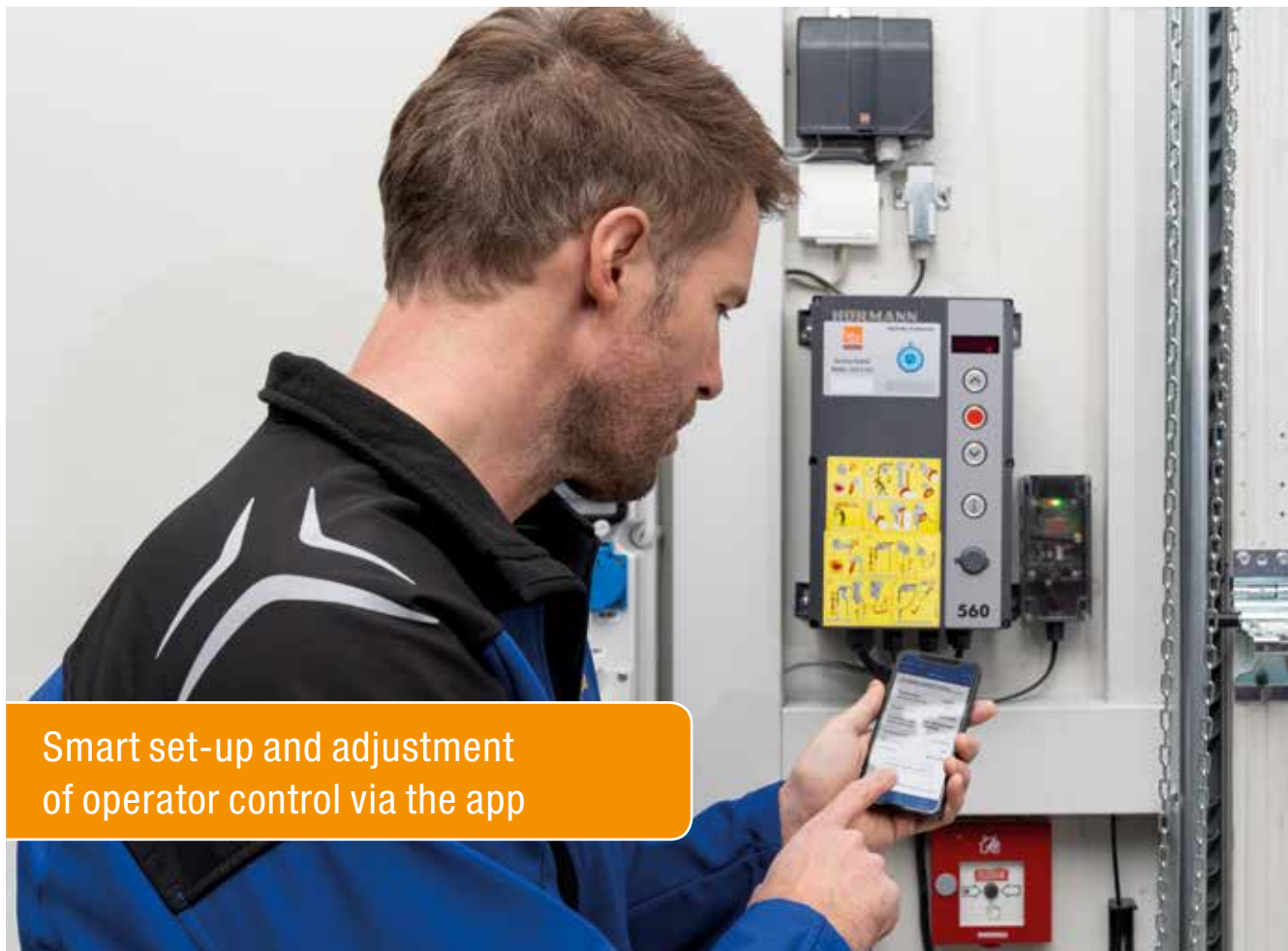
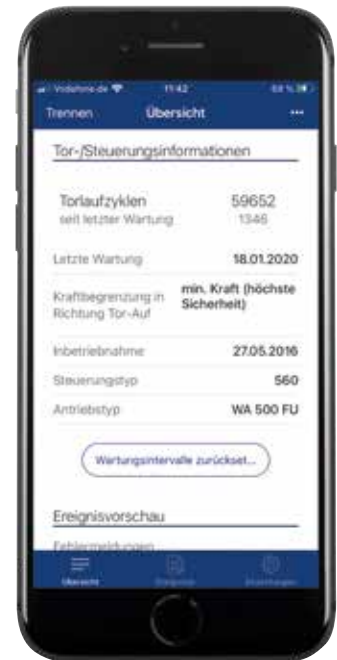
BlueControl

- App for initial start-up, service and maintenance of industrial doors with controls 560 and 545
- App free to download and use
- Clear settings in plain text
- On-site access via Bluetooth without Internet connection

Useful functions save time:

- Simple scanning of the door data via QR code
- Convenient saving and transferring of templates for programming identical systems
- Fast overview of all menu settings
- Practical readout of events and errors with time stamp
- Time-saving forwarding the control data via e-mail (e.g. to the technical service)
- Simple reset of maintenance counter

■ Available from 1.6.2021



Smart set-up and adjustment
of operator control via the app

SmartControl



- 24/7 monitoring and technical door analysis, also remotely
- Online portal with all important door information, e.g. Error messages or door cycles
- No software installation required
- Cost-savings thanks to fewer and shorter service visits
- Fast troubleshooting thanks to online access to operator control
- Fewer and shorter downtimes due to early replacement of wearing parts
- Programming menu settings
- Push messages when configured events occur, e.g. max. door cycles for service visits
- Optimisation of service and maintenance scheduling through forward planning
- Connection of up to 2 controls of the series 500 possible
- Available for all Hörmann industrial doors with control 545 and 560 as well as all Hörmann high-speed doors (from year of manufacture 2015)

■ Available from 1.6.2021

Online analysis and service
for reliable door function



Spiral door HS 7030 PU 42

Expanded size range
up to 8000 mm width or 5000 mm height

- Counterbalance via springs

Particularly easy to service and maintenance-friendly
up to 5000 mm width or 5000 mm height

- Counterbalance via counter weights
- Reduced operating noise due to quiet door travel
- Reduced wear
(in comparison to counterbalance via springs)

■ Available from 1.6.2021



The certified RC 2 security according to DIN / TS 18194 is recommended by police information centres. Further information can be found at www.k-einbruch.de



With RC 2 safety equipment according to DIN TS 18194 as standard



Acoustic-rated door HS 5015 Acoustic 1

- 42 mm aluminium hollow profile, filled with 5 mm UPVC and 30 mm PU foam
- Acoustic insulation (without glazing) 31 dB
- New with spiral track application and track application V

■ Available from 1.6.2021



Safety light grille 2

- Particularly reliable function due to the low spacing of the light beams of only 45 mm up to an opening height of 2500 mm
- Maintenance-friendly due to diagnosis of each individual light beam
- Door-protecting due to soft-stop function with obstacle detection (with sufficient remaining travel distance)
- Break-in resistant through messaging when the door leaf is pushed up forcibly
- Automatic correction of the end-of-travel position when the curtain is extended
- As standard with all flexible high-speed doors* as well as with all spiral doors and high-speed sectional doors

■ Available from 1.6.2021

* Except for V 4008 SEL, V 2012, V 3015 Clean, V 3009, V 10008, V 6030 Atex

High-speed door V 3010

- Self-supporting door construction
- Very short fitting times due to approx. 80 % pre-assembled door construction
- Opening speed from approx. 1 m/s
- Space-saving, integrated control (optional in IP65 jet-water protected)
- No downtimes resulting from a crash thanks to self-threading curtain
- Also available in stainless steel

■ Available from 1.6.2021



ShopRoller SR FTK

- Self-supporting construction
- Also suitable for non-supporting walls, e.g. Glass-aluminium facades
- No visible fixing points
- Suitable for every fitting situation
- Simple and fast fitting

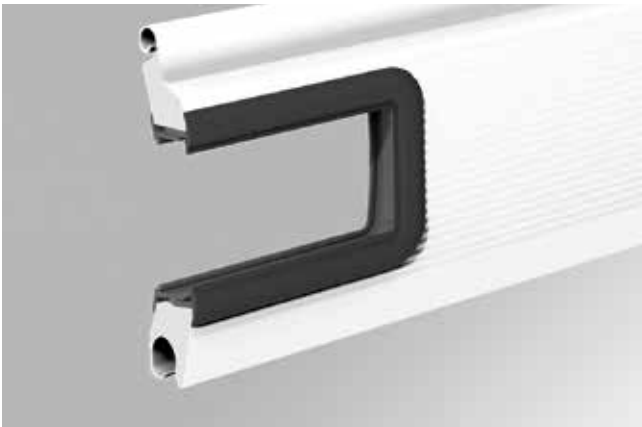
■ Already available





Decotherm ventilation elements

- Arrangement as in Standard or Logistic window profiles
- Compliance with legal requirements
- Natural ventilation, potentially no further ventilation system necessary
- Available for rolling shutter DD, rolling shutter SB, rolling shutter TGT



Ventilation grilles

- Ventilation cross section:
approx. 27.35 cm² / grille element

Ventilation opening

- With door height \leq 2500 mm only available with press-and-hold control or with lintel trap guard with rolling shutters SB and DD
- Ventilation cross section: approx.
57.8 cm² / opening element

■ Available from 1.4.2021



Exclusive door appearance for collective garage doors

- Filling with sintered quartz substrate in the surface finishes Corten steel, stone, concrete
- For the fitting situations flush-fitting, in the opening, behind the opening
- Available as style 499 for non-protruding up-and-over door ET 500, sliding door ST 500, up-and-over door N 500 (each without wicket door), with side and upper fixed elements

■ Available from 1.4.2021 on request

Only from Hörmann

Patent pending:
Moving insulation panel under lip

Dock leveller HTL2 ISO

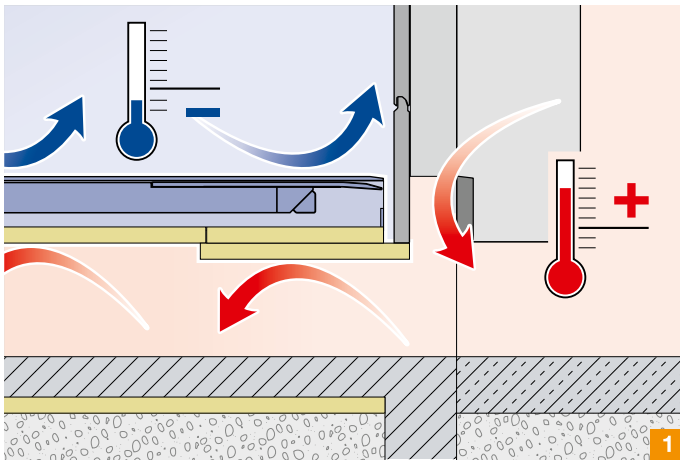
- Optimal insulation during loading due to 50 mm thick insulation panel below the platform and moving insulation panel under lip ¹
- Ideal for refrigerated trucks with offset loading surface due to lip type IC with approx. 390 mm free overlap length as standard ²
- Easy to fit due to completely pre-assembled insulation
- Maintenance-friendly thanks to easily accessible hydraulics

■ Available from 1.6.2021

* In comparison with an uninsulated dock leveller

Approx. 55 % better thermal insulation*
in home position and when loading





Reduction of transmission losses

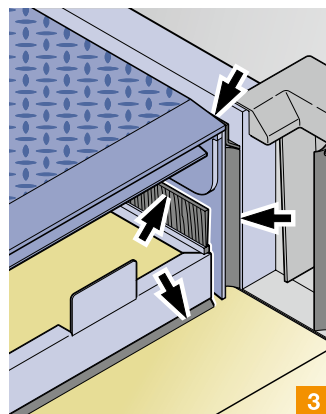
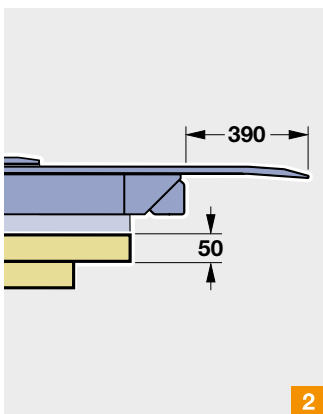
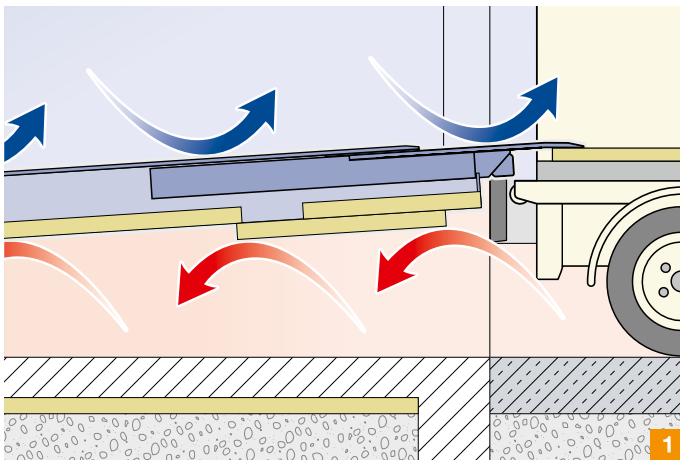
- Through 50 mm thick insulation panels directly under the dock leveller and lip 1
- Insulation of the dock leveller and of the hall floor at almost the same height

Reduction of loss of ventilation heat

- Due to dynamic seals 3

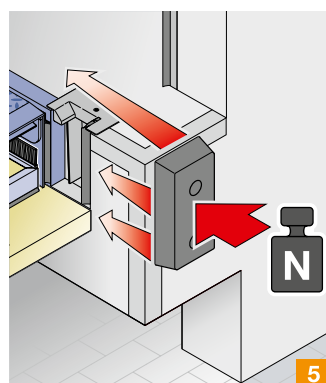
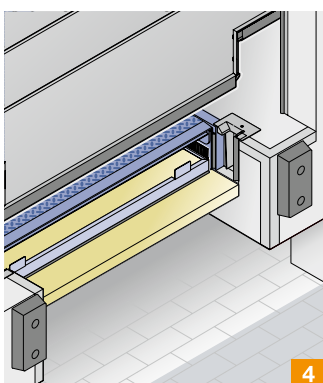
Combination with low-track sectional door

- Door operation in front of the dock leveller
- Suspended bottom door section, lowered to the insulation panel of the dock leveller 4
- Optimal seal also in the area of the loading platform
- Easy pit creation due to the small recess of the door operation
- Impact forces transferred to the hall floor 5
- Door opening only after docking due to tailboard slot of the ramp even when the door is closed
- Further information on page 48



Sizes and versions

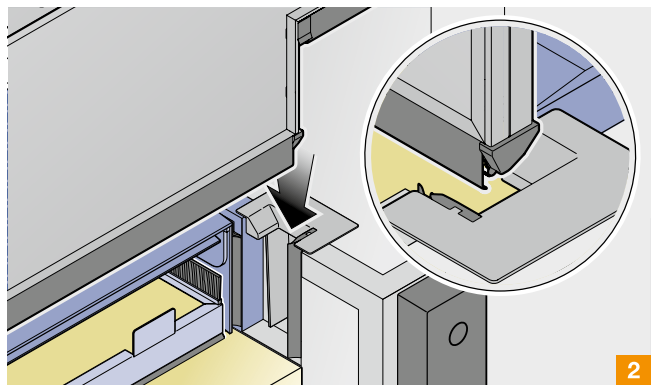
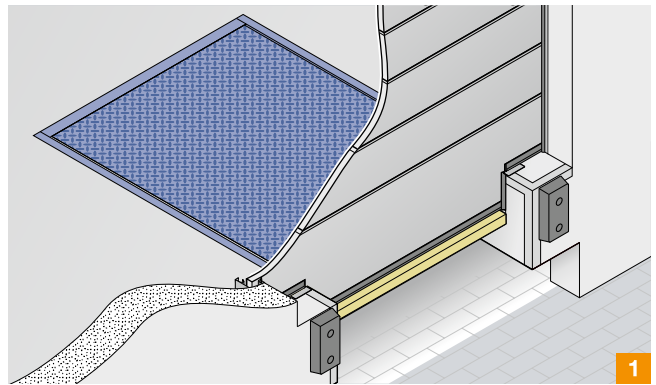
- Rated load 60 kN
- Standard sizes up to 3000 mm length
- Telescopic lip 650 mm or 1150 mm (with 2 m length telescopic lip max. 950 mm)
- All fitting modules possible



Low-track sectional door

- Equipped with suspended bottom door section for ramps with door operation in front of the dock leveller (e.g. HTL2 ISO or DOBO) **1**
- Particularly suitable for temperature-controlled halls through low recess for the door operation
- Ideally sealed in the area of the loading platform due to centring and sealing unit **2**
- Available for industrial sectional door SPU 42, SPU 67 Thermo, APU 42, APU 42 Thermo, SPU 67 Thermo

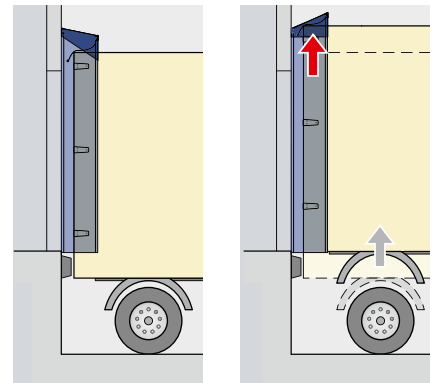
■ Available from 1.6.2021



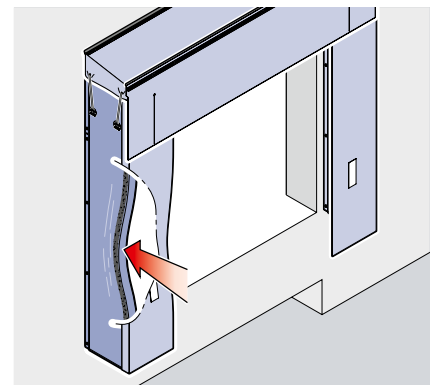
Dock shelter DDF 10

- No-linkage construction
- Especially robust due to foam-filled side cushions
- Fixing the side flaps using velcro prevents tearing when overstretching
- Very flexible thanks to moving top part
- Particularly easy to fit through pre-assembled top part and frame for side cushions
- Suitable for renovations through largely matching contour to the flap dock shelter with linkage

■ Available from 1.4.2021



Top part lifts with raising air suspension vehicle



Side element moves off to the side without any damage in the case of imprecise docking



NEW: Particularly easy to fit!



A close-up, low-angle shot of a man's muscular back and shoulder. He is wearing a dark, short-sleeved t-shirt. The background is dark and filled with falling rain, creating a dramatic and intense atmosphere. The lighting highlights the contours of his muscles.

STRONGER

Only from Hörmann

Automatic bollards with stone mantle

Security Line bollards with stone mantle



- Available for fixed and automatic bollards with 275 mm diameter with heights of 600 and 800 mm *
- Available in many natural stone types
- Unique design possibility due to matching appearance of fixed and automatic bollards
- Optionally with individual cylinder cover
- Can be combined with additional equipment from the standard programme

■ Available on request

* Except for RI version and bollards with electromechanical operator



Road Blocker 1000 SF

- Simple, fast fitting on the finished floor surface without groundwork
- Only installation of power supply required
- Barrier height 1000 mm
- Passage width 3.5 m; 4.5 m; 5.5 m
- Cycles per day: 2000
- Optionally with EFO emergency function
- M30 compliant with PAS68 / IWA14-1 / ASTM
- Can be used as temporary vehicle blocker

■ Available from 1.6.2021



Number-plate recognition for pay station system

- Convenient number plate recognition using a camera and automatic opening of the barriers on entry
- Secure data recording through encrypted transmission
- Easy payment without a parking ticket by entering the number plate at the automatic pay station
- Checking the number plate with a camera and opening the barrier on exit
- Convenient and simple management and evaluation via Web control

■ Available from 1.4.2021



Number-plate recognition for barriers (ANPR)

- Enter and exit quickly and conveniently
- Integrated management software
- Simple management of vehicle number plates using OnlineControl
- No additional ID card management required
- Available for barriers SH 300, SH 600, SH 800

■ Already available



Hörmann Access Control HAC

- System developed in-house for barriers and automatic bollards
- Flexible entry and exit management
- Convenient malfunction recognition
- Simple operation via web browser on mobile and stationary devices
- Preparation for barriers as standard and optionally for bollards

Functions at a glance

- Convenient user management incl. user groups
- Management of up to 2000 ID card media for regulating passages
- Issuing individual access authorisation
- Message memory up to 30 days (local) or unlimited with online connection

■ Available from 1.4.2021





Good for our environment Security for a more beautiful home

Climate-neutral doors from Europe's No. 1

We use 100% green electricity in the production of our promotional doors and additionally save several thousand tons of CO2 through many other measures. We compensate for the remaining emissions by supporting climate protection projects in collaboration with ClimatePartner. You can find further information at www.hoermann.de/umwelt

We use 100% green electricity from



naturstrom
ENERGY FOR THE FUTURE

GRÜNER STROM



The green electricity label of German environmental associations



Klimaneutral
Produkt

ClimatePartner.com/14241-2007-1001

